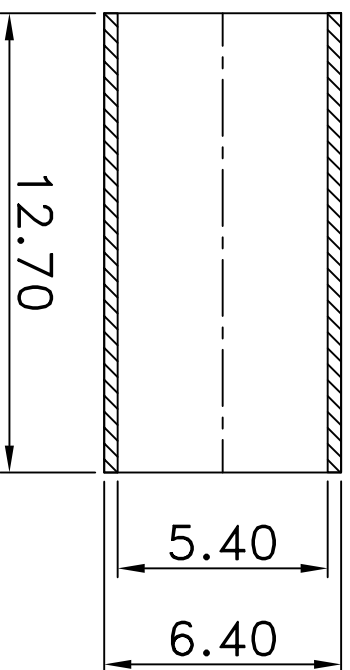
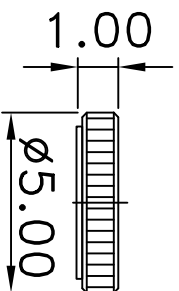
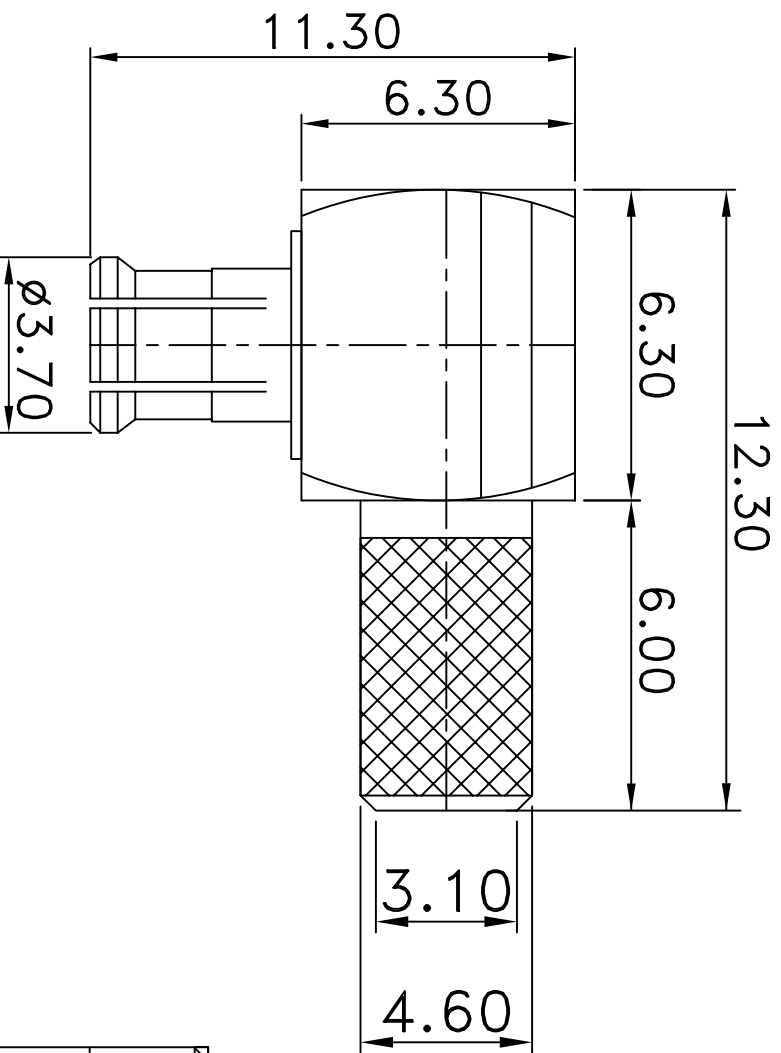


REV	DESCRIPTION	DRAWN	DATE



NO	Description	Qty	Material	Finish
6	CAP	1	BRASS	GOLD
5	FERRULE	1	BRASS	GOLD
4	DIELECTRIC	1	TEFLON	NONE
3	PIN	1	PHOS BRONZE	GOLD
2	BODY	1	BERYLLIUM	GOLD
1	BODY	1	BRASS	GOLD

UNLESS OTHERWISE SPECIFIED  
 1. REMOVE ALL BURRS.  
 2. BREAK ALL CORNERS & EDGES CO 15 MAX.  
 3. CHAMFER 1ST & LAST THREADS 45°.  
 4. DIAMETERS ON COMMON CENTERS.  
 5. ALL DIMENSIONS ARE AFTER PLATING.

\* MAJOR DIMENSION  
 UNLESS OTHERWISE NOTED TOLERANCES  
 0.5-6 = ±0.2  
 6-30 = ±0.4  
 30-120 = ±0.6  
 120-315 = ±1.0  
 ANGLES = ±1°

APPROVED  
 CHECKED  
 DRAWN  
 andrew

**JefoTech**  
 Wireless Technology Solutions

TITLE  
 MCX MALE R/A CRIMP FOR LMR195

DRAWING NO.  
 C195MCXRA

REV  
 A

SCALE 6/1 UNIT MM DRAWN DATE 03/07/29 FILE NO.